

CUSTOMER INSTALLATION INSTRUCTIONS **Randall Ramps – Folding Walkramp & Enclosure (7-1-13)**

Introduction

Randall Ramps are designed to be installed under a trailer or truck body. This ramp can be installed on any manufacturer's trailer or straight body. This ramp can also be retrofitted into most manufacturers' enclosures, ask a Randall Territory Manager for further details.

IMPORTANT: Read this manual completely before installing the ramp. The folding ramp and enclosure are heavy when they are packaged together and could cause serious injury if mishandled or improperly installed.

The installation of the folding ramp is not difficult if you follow the procedures outlined in this manual. Any unauthorized changes to these procedures, changes to the parts and/or assemblies will automatically void our warranty.

If you have any questions, call Randall Manufacturing at 800-323-7424.

Installation – tools and equipment (not included)

- Tape Measure
- Fork Lift or Jacks
- Weld Machine with Flux Core Wire for Galvanized Material
- Cold Galvanized Spray

Additional requirements (not included)

- Two Installers
- 2" x 2" Steel Angle
- Undercoat Spray

Unpacking

The folding ramp has been palletized inside the enclosure to reduce handling of assemblies during installation.

- 1) Remove steel strapping first by cutting the bands.
- 2) Remove folding ramp and any materials from the enclosure.

Installation of the Randall Folding Walkramp Enclosure

- 1) Check all dimensions where you'll be installing the enclosure to the trailer. Inspect enclosure door and body for proper operation before you permanently attach.

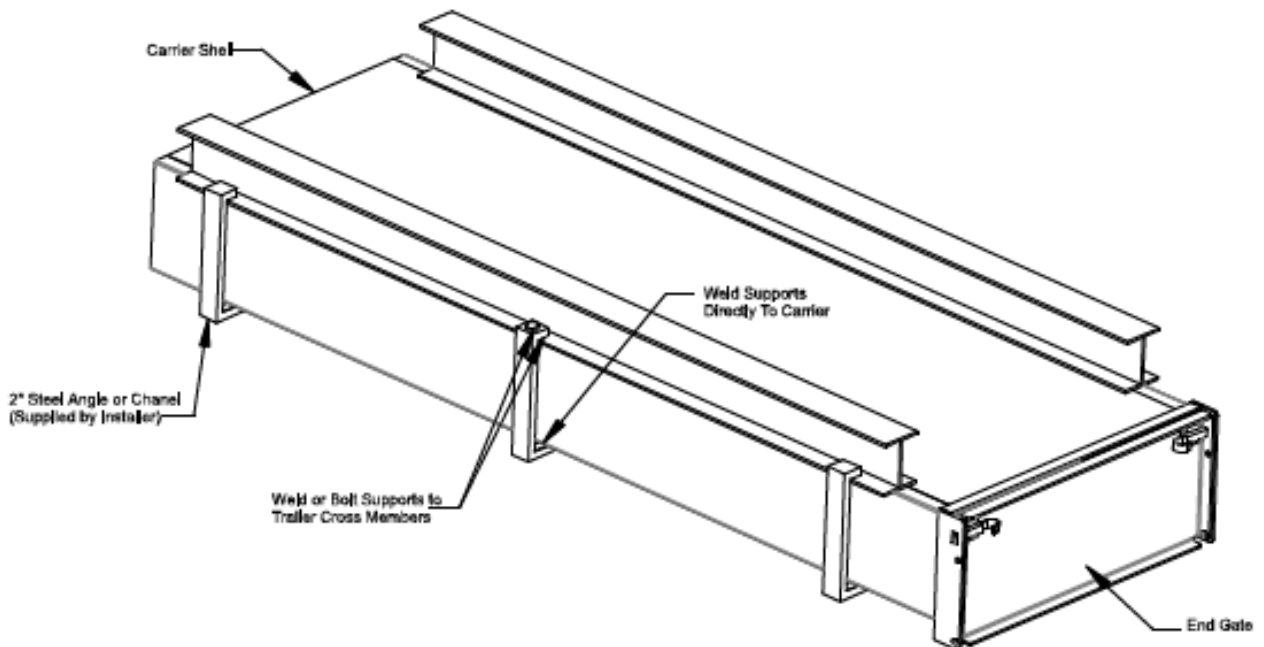
R/RAMPS

- a. The enclosure requires 8'-0" length x 32 ½" width x 12 ¾" height of clearance.
- b. Enclosure must not be mounted in front of landing gear or it will interfere with the trailer's kingpin.

Place enclosure in the opening. The enclosure must be slightly recessed so it does not stick out beyond the sides of the trailer and there are no obstructions that would prevent proper use of the ramp.

Installing the Randall Folding Walkramp under the Trailer

- 1) The enclosure should be attached to the cross members of the body with at least three steel supports around the enclosure. It is recommended that the supports be fabricated from 2" steel angle or channel or any other material with sufficient strength to support 350 lbs under all road conditions.
 - a. Trailer with steel framing and cross members: the steel supports can be welded directly to the cross members.
 - b. Trailers with aluminum framing and cross members: bolt the enclosure supports to the aluminum members.



R/RAMPS

- 2) Stow ramp in enclosure with apron toward the front.

This illustration (below) is only a point of reference for installation purposes. Figure 1 shows the location of the major components of the ramp for a typical installation.

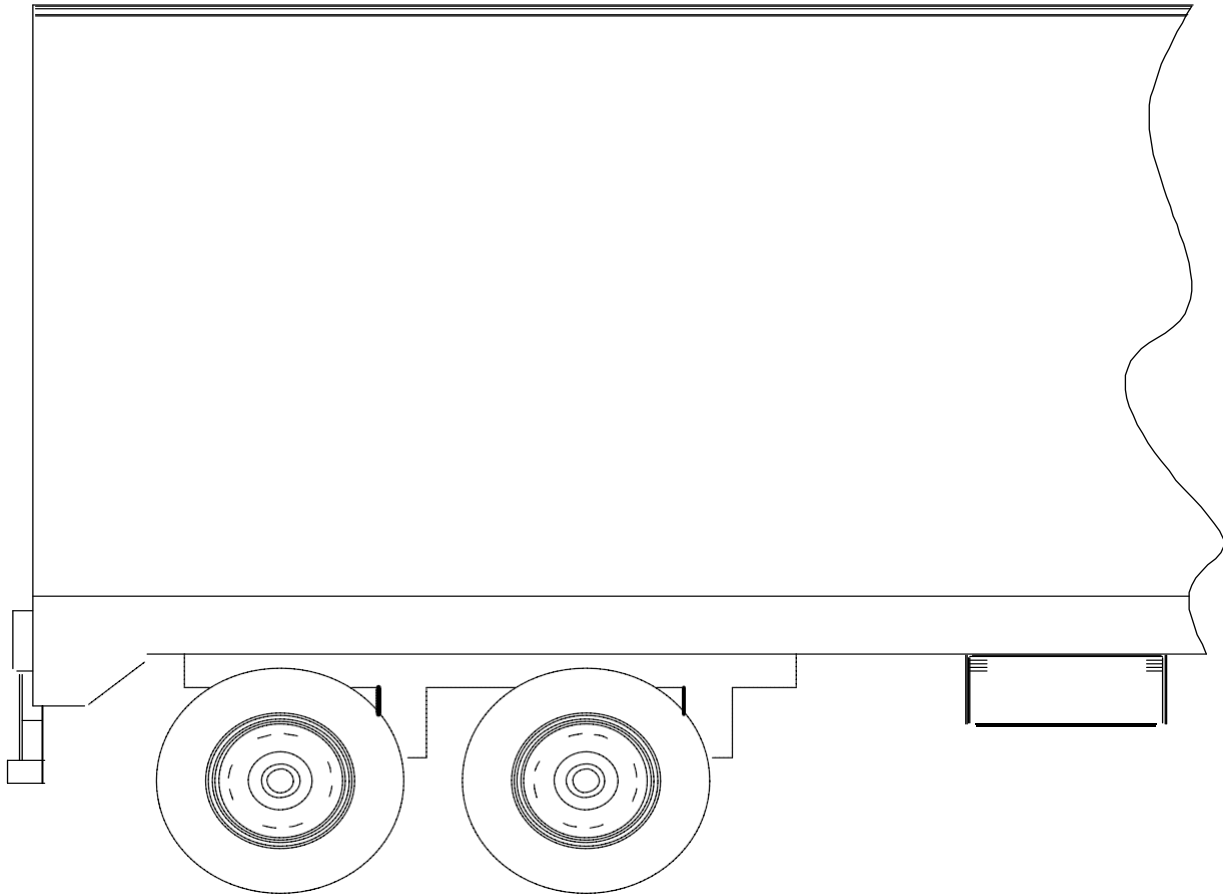


Figure 1

Using the Randall Folding Walkramp with Apron

Your Randall walkramp comes with pre-installed apron bolts. These apron bolts are used to anchor the ramp to the trailer floor. Your apron bolts come pre-installed with a spacing of 13 ½" apart. The bolts can be relocated if you have pre-existing holes in your trailer floor.

Changing Apron Bolt Locations

Note: The bottom of coupling nut must be 3" back from the front edge of apron so that the bolts do not drag in the enclosure. (See Figure 2). The trailer will need to be modified to accept apron bolts if receiving holes are not present.

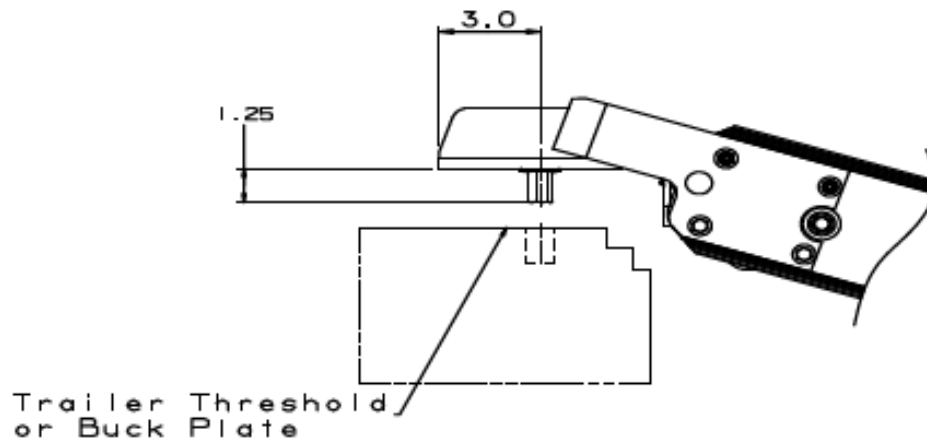
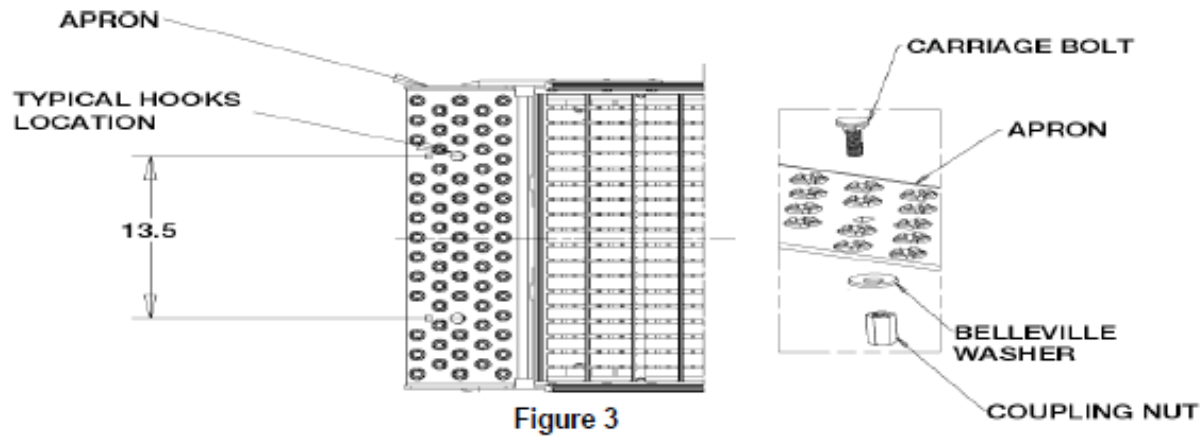


Figure 2

- 1) Remove coupling nuts from carriage bolts from apron using a 5/8" wrench.
- 2) Select new hole location and re-install the bolts make sure to use Blue #242 Loctite on the carriage bolt before tightening (Loctite not included). Tighten down the carriage bolt so the carriage bolt is tight against the apron plate. Must be torque to 500-510 in/lbs (See Figure 3).

R/RAMPS



If trailer apron hook receiving holes already exist, skip steps 3-5.

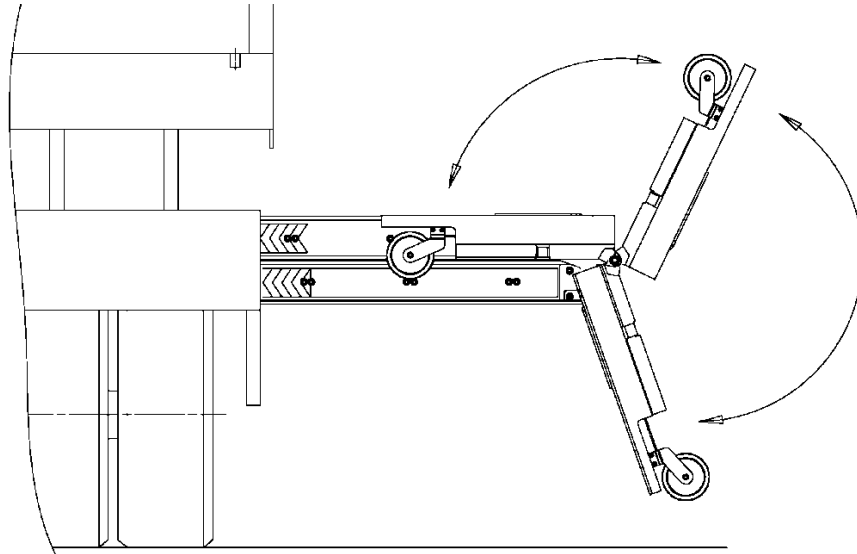
- 3) Using your apron bolts as a template mark your receiving holes.
- 4) Drill a 7/8" diameter hole where marked.
- 5) Place apron bolts inside hole to insure the ramp is secure.

Using the Randall Folding Walkramp and Enclosure

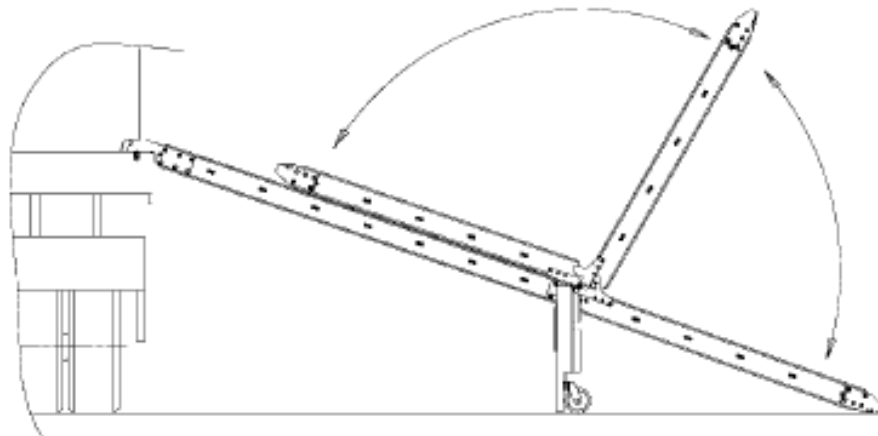
The Randall Folding Walkramp is designed to fold in half and store under trailers. To deploy the folding walkramp use the following steps:

- 1) Unlatch and lower the enclosure door.
- 2) Lift up on the latch to clear the stop.
- 3) Continue pulling out the ramp until the legs have cleared the enclosure.

R/RAMPS



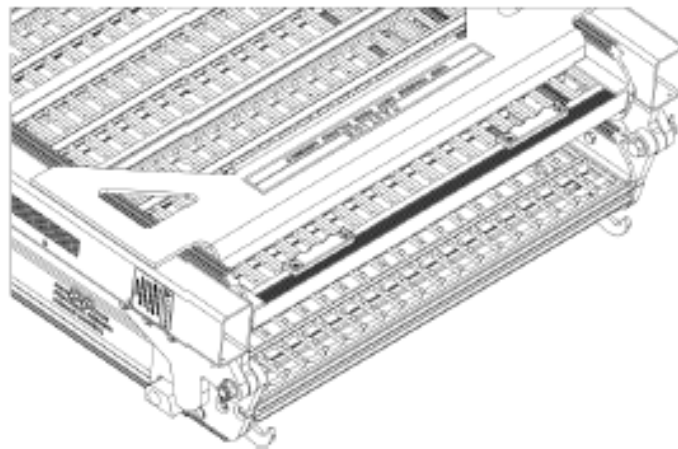
- 4) Lift legs and flip them away from the enclosure. Making sure the legs are securely latched into place.
- 5) Pull out the rest of the ramp and roll the ramp to desired location.
- 6) Using the ramp apron bolts, secure the ramp apron to the trailer floor.
- 7) Lift top portion of the ramp and gently flip away from the trailer.



- 8) Carefully set the end of the ramp on the ground.

Stowing the Randall Folding Walkramp

- 1) Lift end of ramp and fold towards trailer.
- 2) Lift the ramp off of the trailer floor and roll back to enclosure.
- 3) Push ramp carefully into the enclosure until ramp is no longer supported by the legs.
- 4) Lift the latch handle up until the latch has released, allowing the legs to be folded up



- 5) Lift the legs up and fold towards enclosure, setting them down softly onto the ramp.
- 6) Grab orange latch to lift and continue to push in the ramp until the door of the enclosure can be closed.
- 7) Close and latch enclosure door.

Your Randall Ramp System is now ready to be used. For proper care and ramp maintenance please reference our website, www.randallramps.com. If you have any questions or any problems, please call Randall Manufacturing at 800-323-7424.