

Randall Ramps – Folding Walkramp Preventative Maintenance and Usage Guidelines

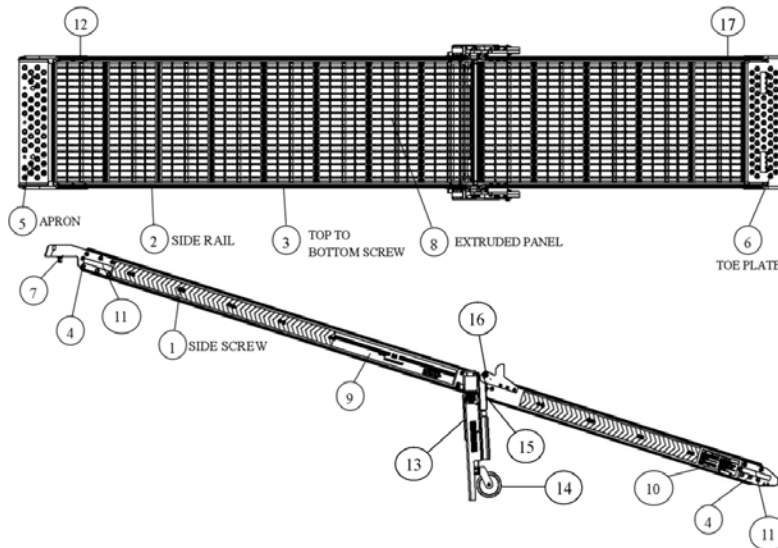
This Preventative Maintenance and Usage guideline is to inform users that regular inspection of your ramps, enclosure, lift assist and receiving holes must be completed every three months and it's advisable that drivers inspect the ramp daily before use. Using a damaged ramp could result in bodily injury. Use only Randall replacement parts and hardware for repairs.

Inspect all 1/4"-20" (1) screws along the ramp side rails (2) to insure they are tight and also check all 1/4"-20 screws and nuts (3) inside the side rail to insure they are also tight Next check the 5/16"-18 screws and nuts (4) that secure the apron (5) and toe plate (6) also check the carriage bolts 3/8"-16 (7) on the apron (5) to insure that they are also tight. All screws MUST be torqued to the follow specification 1/4"-20 120-130 in/lbs, 5/16"-18 250-270 in/lbs and 3/8"-16 450-470 in/lbs **DO NOT OVER TIGHTEN SCREWS!**

Panel (8) should be fully intact with no cracks or bending. In the unlikely event that your panel surface becomes worn out, replace panel.

Inspect the leg assembly (13), wheels (14), latch (15) and the pivot bolt (16). Make sure the pivot bolts are not damaged and the pivot connection is secure. Insure wheels do not have excessive wear as this could make the folding ramp hard to move around. Inspect all welds on the leg and latch for unusual wear and make sure the latch locks into the leg. If any of these components show any of the above issues or any other issue replace them immediately.

Inspect toe plate (6) and apron plate (5) for unusual wear and stress markings. Stressing and or excessive wear can be an indication of fatigue. Any components showing these signs should be replaced immediately. All labels shown in the diagram below must be legible. If not legible, be sure to replace as soon as possible: #03-25-1178 (9), #03-25-1171 (10), #03-25-1210 (11), #03-25-1177 (12) and (17)
#03-25-1173.



IMPORTANT: Randall Manufacturing also recommends that the ramp be used on a level surface. Be sure to regularly inspect your ramp for loose fasteners, and repair or replace damaged parts. Any parts that are damaged or loose can cause serious injury. Improper usage of the ramp can cause damage and possibly void any remaining warranty. Please contact your Randall Territory Manager at 800-323-7424.