

Randall Steps Installation Instructions

INTRODUCTION

Randall Manufacturing's Steps are designed to be installed under a trailer or truck body. This step can be installed on any manufacturer's trailer or straight body. The step can also be retrofitted into most competitors frames, ask a Randall representative for further details.

IMPORTANT: Read this manual completely before installing the step. The step could cause serious injury if mishandled or improperly installed.

The installation of the step is not difficult if you follow the procedures outlined in this manual. Any unauthorized changes to these procedures, changes to the parts and/or assemblies will automatically void our warranty.

If you have any questions, call Randall Manufacturing Customer Support at 800-323-7424.

INSTALLATION – TOOLS AND EQUIPMENT (not included)

- 3/4" Open End Wrench
- 3/4" Socket
- Tape Measure
- Weld Machine (If your not bolting it on)
- Black Spray paint or undercoat spray

ADDITIONAL REQUIRMENTS (not included)

- Two Installers
- 2" x 2" Steel Angle or 2" channel

UNPACKING

Remove step from corrugated box.

INSTALLATION OF THE STEP

- 1.) Check all dimensions where you'll be installing the step to the trailer. Inspect the step for proper operation before you permanently attach it.
 - a.) Step requires 20-3/4" of clearance for the length. If you have a larger size step please call Randall for instructions. See figure 3
 - b.) You'll also need 19-1/4" of width clearance and 13-1/2" of height clearance. See figure 1 & 3
- 2.) Place step in the opening. The step must be recessed at minimum 1" so the step won't get damaged when the trailer is backing up to a dock. Do not recess step more than 3" as this will cause interference with the ICC bumper and make the step inoperable. See figure 2
- 3.) Attach step to under body of trailer cross members.
 - a.) Trailers made with aluminum cross members will need to have steel 2" x 2" angles or 2" steel channels welded or bolted to the step and then bolted to the cross members of the trailer. If you bolt the step then the step can be bolted directly to the cross members. All bolts used to install the step must be 1/2" grade 8 bolts and 1/2" grade 8 center lock nuts.
 - b.) Trailers with steel cross member can have the step welded or bolted directly to them.
 - c.) On the angle or cross members mark your bolt or weld location by using the dimensions in figures 1, 2 & 3. The bolt locations are 8" center to center and 17-3/4" apart.

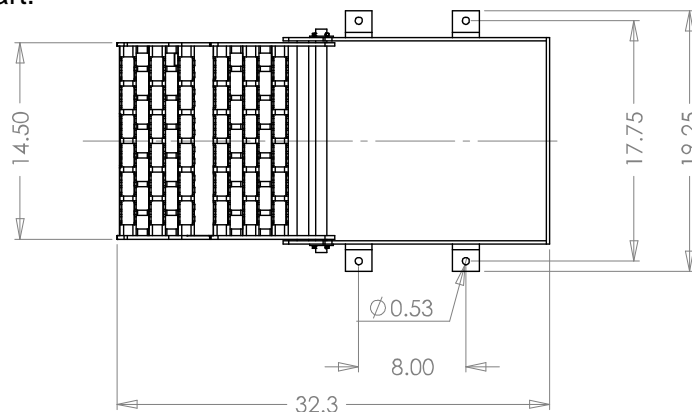


Fig. 1

R//STEPS

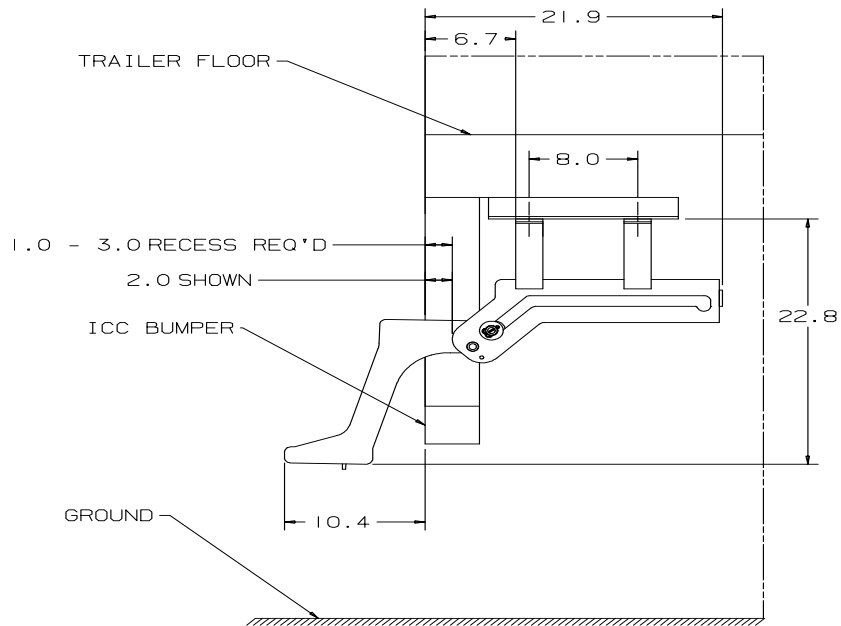


Fig 2

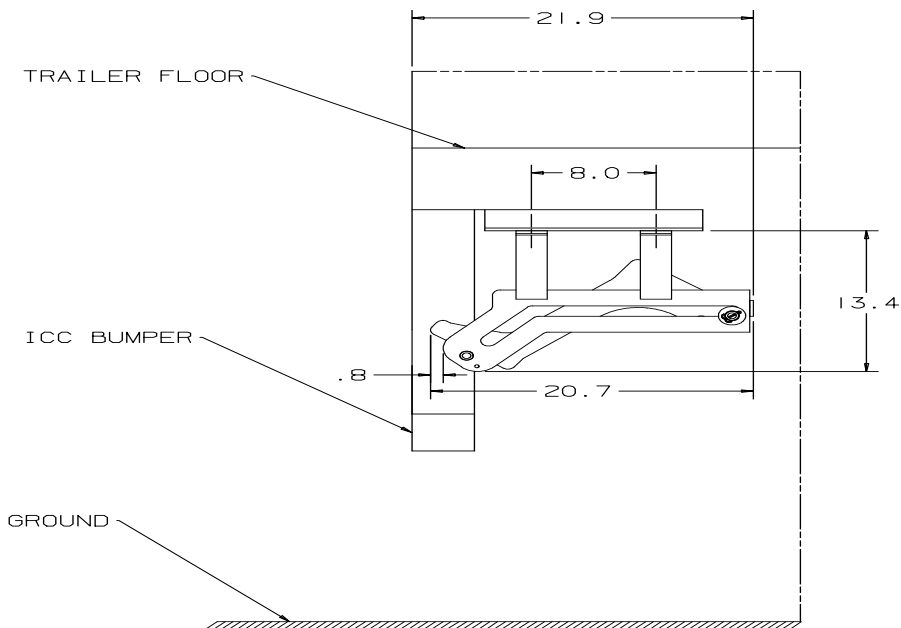


Fig. 3

Your Randall Step System is now ready to be used. For proper care and step maintenance please reference our website, www.randallramps.com. If you have any questions or any problems, please call Randall Manufacturing at 800-323-7424.