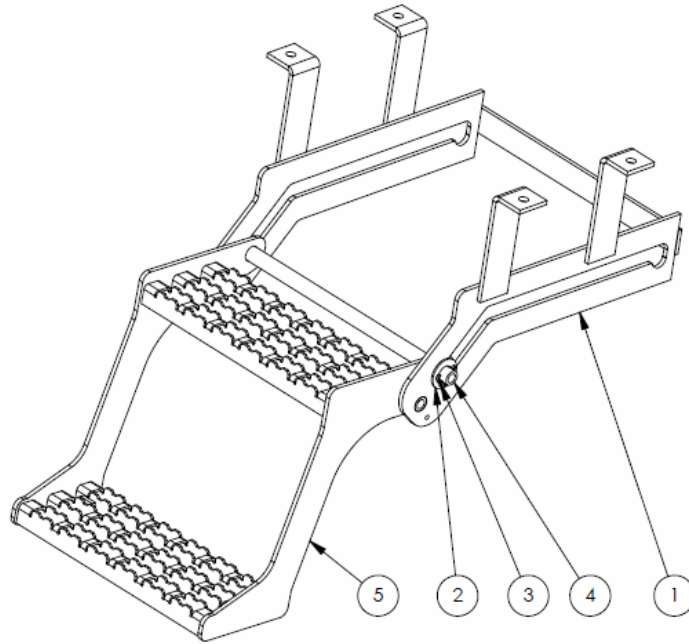


Steps Parts Manual



Step Assembly Kit

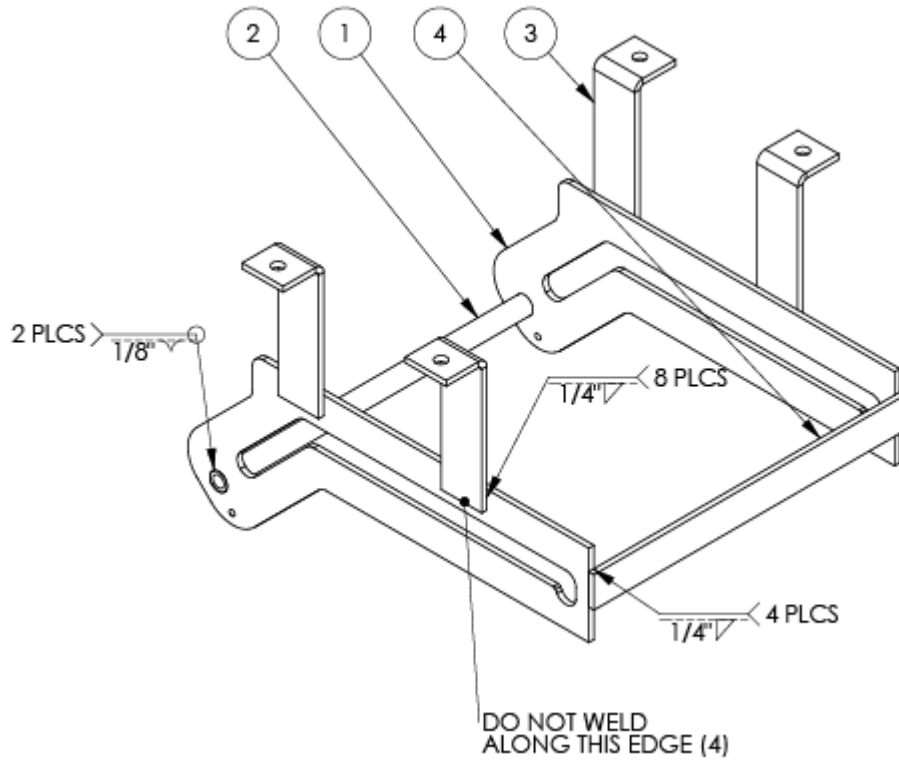


Step Assembly Kit, Part No. 01-26-1004

Item No.	Part Description	Quantity
1	Frame Weldment, Step-2 Assembly	1
2	FW, 15/16"ID x 1-3/4"OD x .125 T, ZN	2
3	5/32"Dia. 1-1/2"L Standard Cotter Pin, ZN	2
4	Pivot Pipe, 1/2" Sched. 80, R Step-2 Assembly	1
5	Steps Weldment, Step-2 Assembly	1

Confidential Document

Frame Weldment Kit

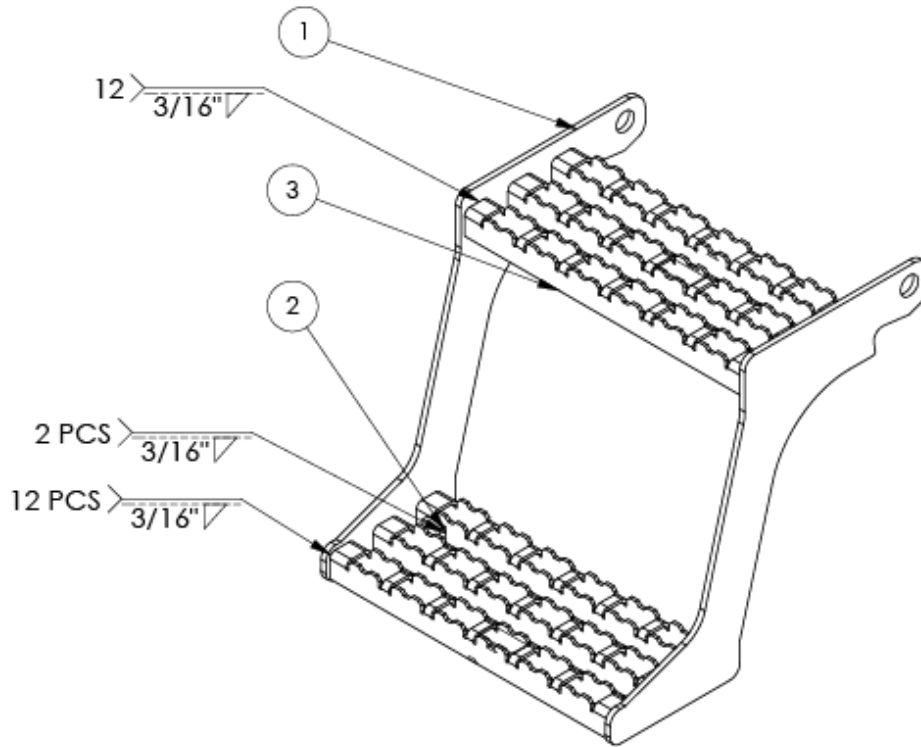


Frame Weldment Kit, Part No. 03-26-1008

Item No.	Part Description	Quantity
1	Guide PLT, R Step-2 Assembly	2
2	Pipe, 1/2" Sched. 80, R Step-2 Assembly	1
3	Mounting Bracket, R Step-2 Assembly	4
4	Tie Bar, R Step-2 Assembly	1

Confidential Document

Steps Weldment Kit

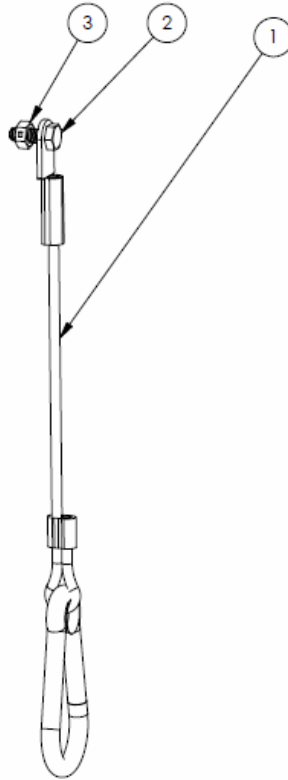


Steps Weldment Kit, Part No. 03-26-1018

Item No.	Part Description	Quantity
1	Stringer, R Step-2 Assembly	2
2	Stop Tab, R Step-2 Assembly	1
3	Stair Tread, R Step-2 Assembly	1

Confidential Document

Cable Kit

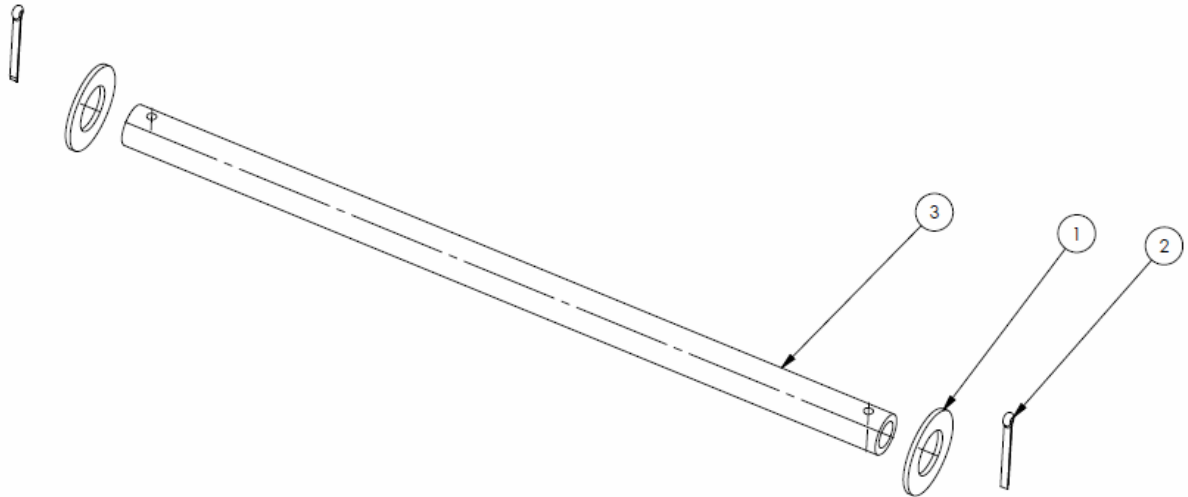


Cable Kit, Part No. 04-26-1000

Item No.	Part Description	Quantity
1	Cable Assembly, R-Step 2	1
2	HHCS, 1/4"-20 x 3/4", G8, ZN	1
3	HLNC, 1/4-20, ZN	1

Confidential Document

Pivot Pipe Kit



Pivot Pipe Kit, Part No. 05-26-1001

Item No.	Part Description	Quantity
1	FW, 15/16"ID x 1-3/4"OD x .125 T, ZN	2
2	Pin, Cotter, 5/32"Dia. 1-1/2"L , ZN	2
3	Pivot Pipe, 1/2" Sched. 80, R Step-2 Assembly	1

Confidential Document