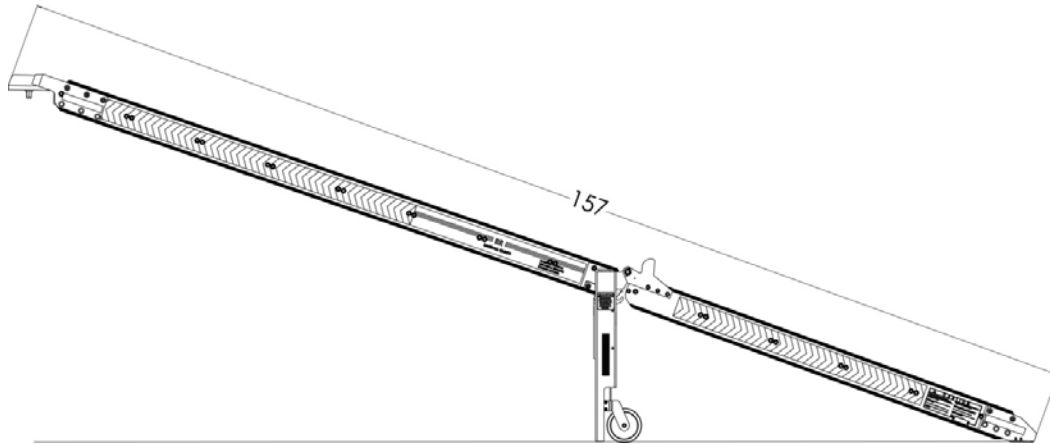


R/RAMPS

Randall Ramps Specification Chart (Folding Walkramp)

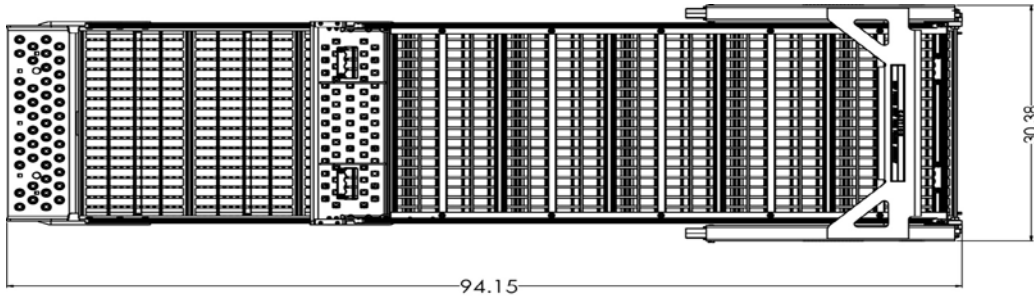
Deployed Specification

Nominal Ramp Length	Useable Width	Ramp Width	Ramp Height	Useable Side rail	Recommended Deck Height	Approximate Weight (LBS)
14'	24-3/8"	25-7/8"	4-5/8"	2-1/16"	47"-56"	154



Folded Specification

Folded Width	Folded Height	Folded Length
30-1/2"	9-5/8"	94-1/8"



All ramps - 1,000 lb. load capacity

Testing of ramps was conducted between 15° and 20°

Load tests were conducted with a 500 lb. load and 225 lb. driver

Enclosure Specification Chart (Folding Walkramp)

Deployed Specification

Enclosure Length	Width and Height of Enclosure Body	Width and Height at Door	Approximate Weight (LBS)
8'	31" x 10-1/2"	32" x 12-1/2"	196

