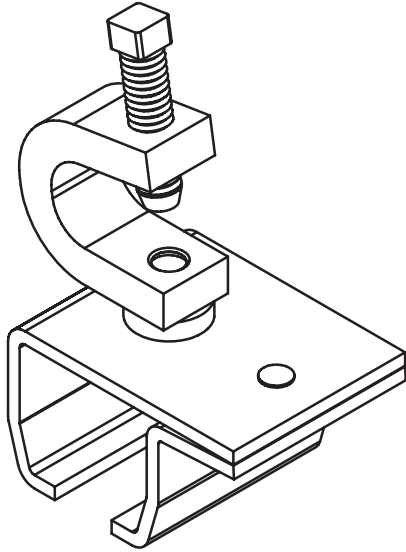


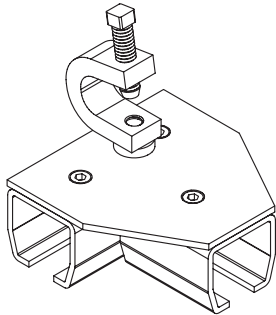
Industrial Curtain Wall Hardware

Beam Flanges

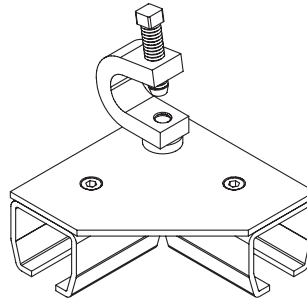


- Permits attachment of roof truss section, beams and channels.
- Secured with edge clamps and set screws.
- Clamps can be rotated for proper alignment.
- Made in the USA

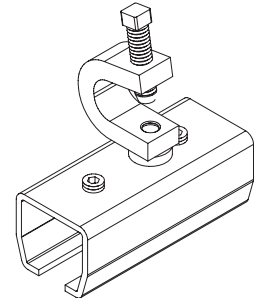
Additional Hardware



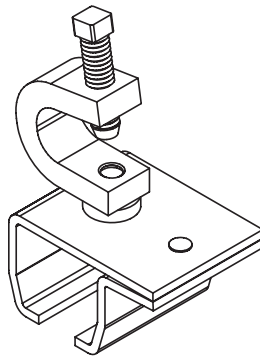
Beam Flange "T" 3-Way Connector



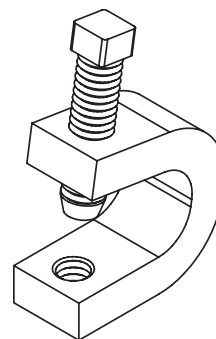
Beam Flange 90 Degree Angle Connector



Beam Flange Connector



Beam Flange Split Support



Beam Flange Edge Clamp