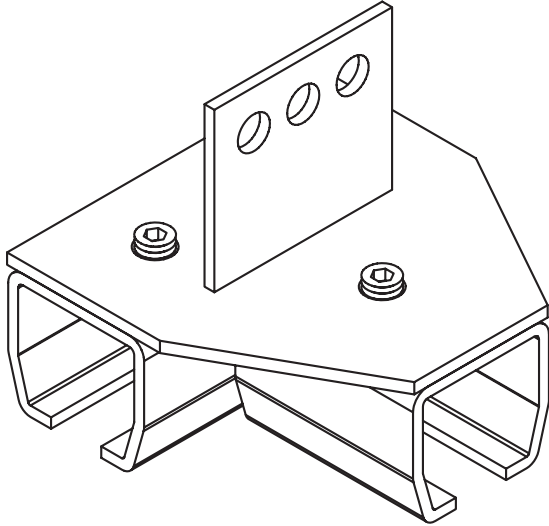


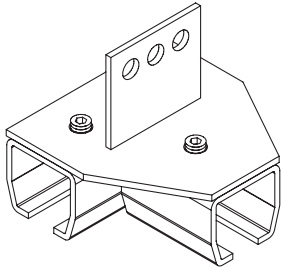
Industrial Curtain Wall Hardware

Beam or Chain Support Mounts

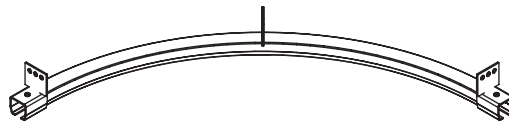


- Attaches to beam or any member immediately above the top level of the curtain.
- May be used with round or right-angle corners.
- Made in the USA

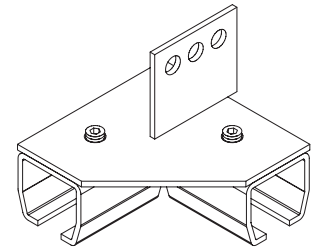
Additional Hardware



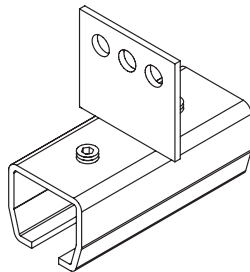
Beam "T" 3-Way Connector



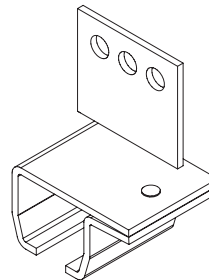
24" Radius Curved Tracks w/ 3 Supports



90 Degree Beam Support Angle Connector



Beam Support Connector



Split Beam Support