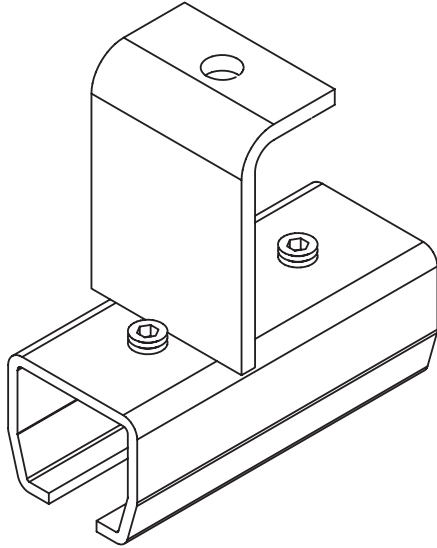


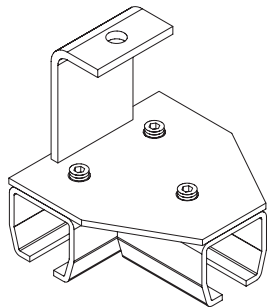
# Industrial Curtain Wall Hardware

## Threaded Rods

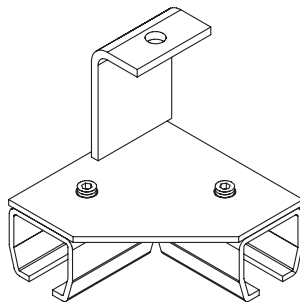


- For use when there are no easily accessible structures near the track.
- Threaded rod attaches to the ceiling height significantly above the track system.
- Made in the USA

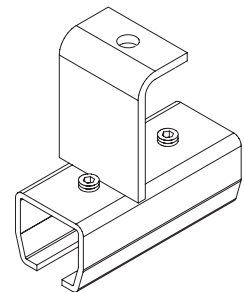
## Additional Hardware



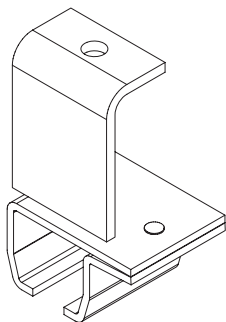
"T" Bracket 3-Way Connector



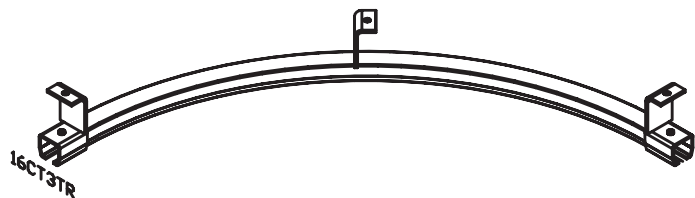
90 Degree Angle Connector



Threaded Rod Connector



Threaded Rod Split Support



Curved Track with Threaded Rod Support